



MANUFACTURING CO., INC.
 5330 East 25th Street
 Indianapolis, Indiana 46218
 Phone (317) 261-1212
 Fax (317) 261-1208



ASSE 1016 Approved

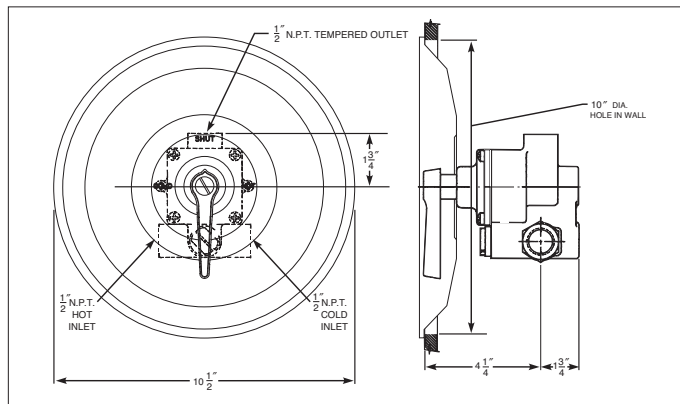
Concealed Thermostatic & Pressure Balanced Valve

Concealed combination pressure balanced and thermostatically controlled mixing valve with stainless steel trim and solid brass polished chrome lever handle.

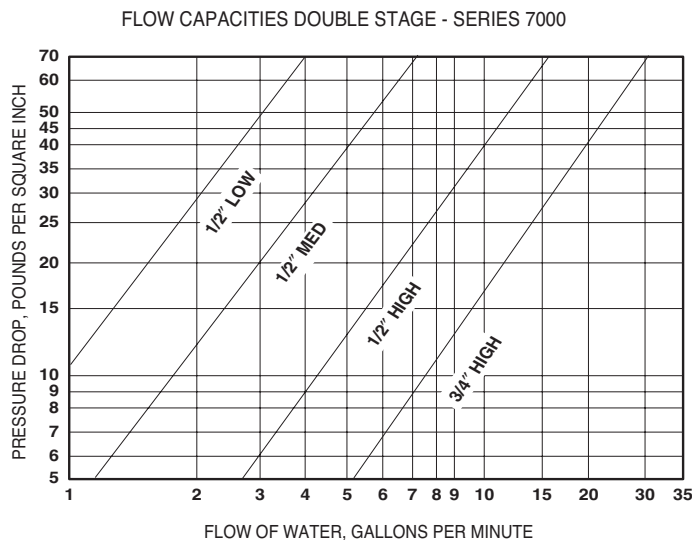
Model # 7900

The Lawler concealed combination pressure balanced and thermostatically controlled mixing valve consists of independent pressure balancing and thermostatic control sections contained in one bronze body. The valve's piston and liner are constructed of stainless steel material. The thermostat is solid liquid filled. The mixing valve has integral shut-off and is adjustable from cold to 115°F unless otherwise specified. The valve employs an adjustable temperature limit stop.

The wall trim includes round stainless steel escutcheon with a solid brass, polished chrome lever handle.



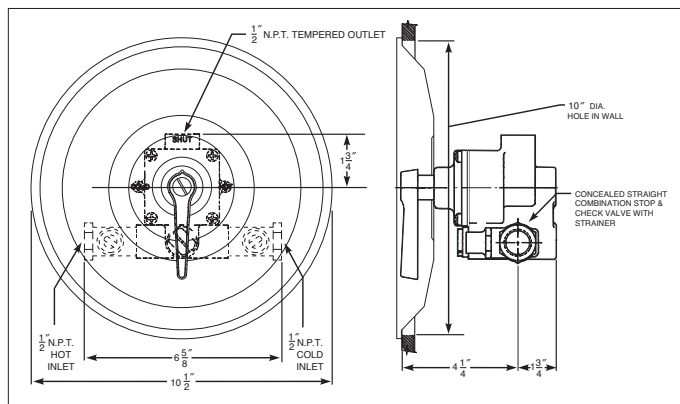
7900 less stop & check valves



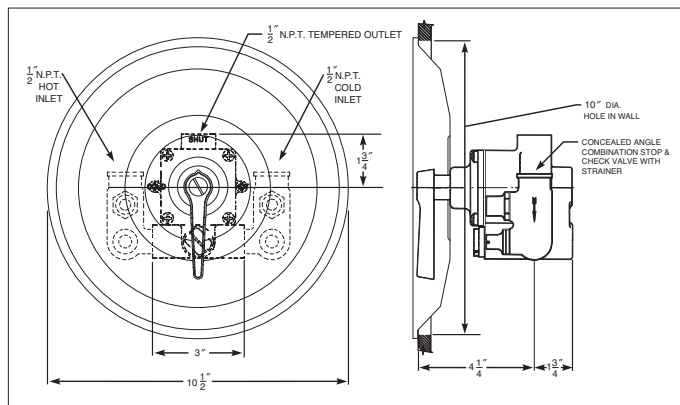
* Standard valve is 1/2" medium flow

OPTIONS

- Suffix VR – Vandal resistant handle screw
- Prefix H – High flow
- Prefix M – Standard flow
- Prefix L – Low flow



7900-SC1 with straight stop & check valves



7900-SC5 with strainer in angle stop & check valves

Design and specification subject to change without notice.