



**MANUFACTURING CO., INC.**  
 5330 East 25th Street  
 Indianapolis, Indiana 46218  
 Phone (317) 261-1212  
 Fax (317) 261-1208



**ASSE 1016 Approved**

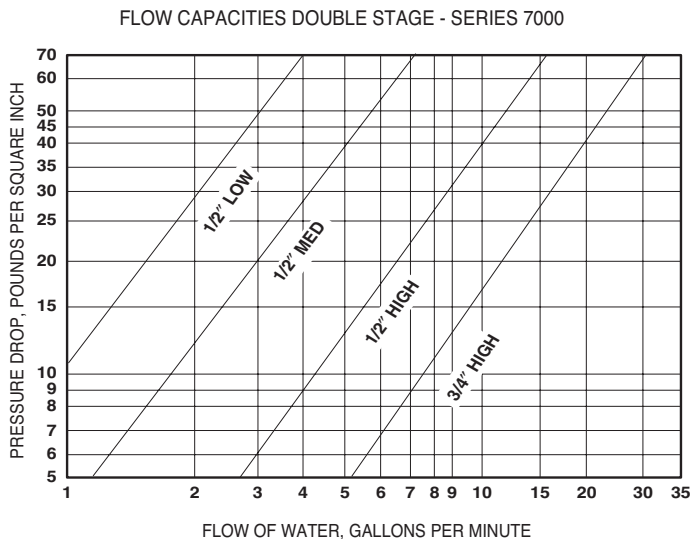
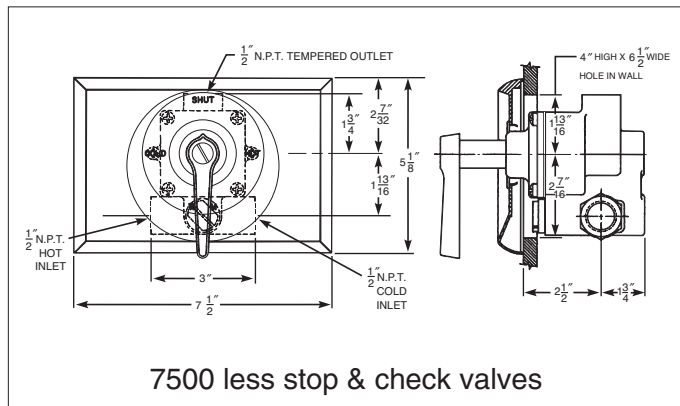
# Concealed Thermostatic & Pressure Balanced Valve

Concealed combination pressure balanced and thermostatically controlled mixing valve with polished chrome trim and lever handle.

## Model # 7500

The Lawler concealed combination pressure balanced and thermostatically controlled mixing valve consists of independent pressure balancing and thermostatic control sections contained in one bronze body. The valve's piston and liner are constructed of stainless steel material. The thermostat is solid liquid filled. The mixing valve has integral shut-off and is adjustable from cold to 115°F unless otherwise specified. The valve employs an adjustable temperature limit stop.

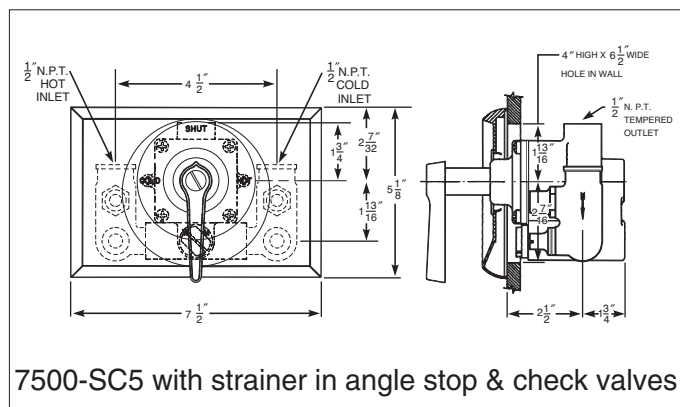
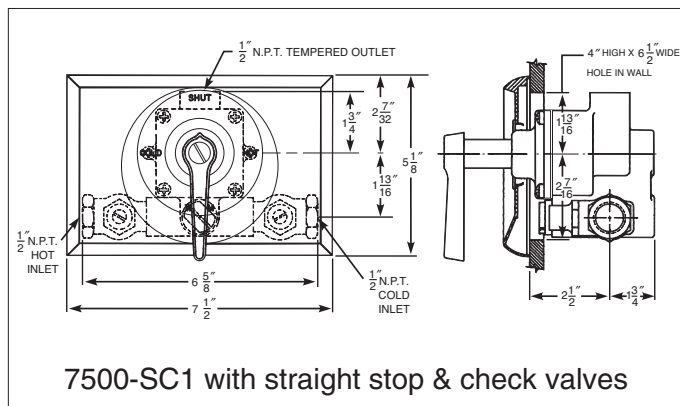
The wall trim has a polished chrome finish with a solid brass, polished chrome lever handle.



\* Standard valve is 1/2" medium flow

## OPTIONS

- Suffix VR – Vandal resistant handle screw
- Prefix H – High flow
- Prefix M – Standard flow
- Prefix L – Low flow



Design and specification subject to change without notice.